

ECOSOFT AQUAPOINT WHOLE HOUSE FILTERS

APPLICATION:

The perfect choice for apartments, private houses, small restaurants

KEY FEATURES:

- Compact design
- Six pre-engineered solutions for different water problems
- Filter can be easily complemented with a softener or advanced softener
- Easy connection from any side of the filter
- Can be installed on the floor or hung on the wall



6 SOLUTIONS FOR DIFFERENT WATER PROBLEMS

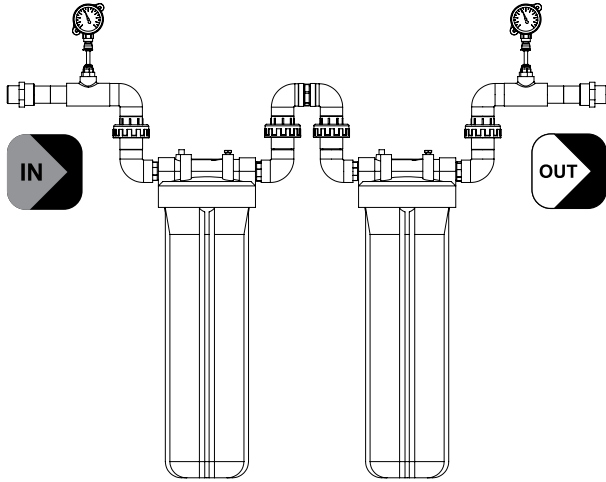
	BB20 CARTRIDGE IN	BB20 CARTRIDGE OUT
SAND & RUST	PP20 (Model CPV452020ECO) 20 µm melt blown polypropylene sediment replacement filter	PP5 (Model CPV45205ECO) 5 µm melt blown polypropylene sediment replacement filter
CHLORINE	PP20 (Model CPV452020ECO) 20 µm melt blown polypropylene sediment replacement filter	GAC (Model CHV4520ECO) Granular activated carbon replacement filter
COLOR AND CHLORINE	GAC (Model CHV4520ECO) Granular activated carbon replacement filter	CTO10 (Model CHVCB4520ECO) Carbon block replacement filter
H₂S (ROTTEN EGGS ODOUR)	PP20 (Model CPV452020ECO) 20 µm melt blown polypropylene sediment replacement filter	GAC-CAT (Model CRVS4520ECO) Smell reduction replacement filter with catalytic activated carbon
IRON	PP20 (Model CPV452020ECO) 20 µm melt blown polypropylene sediment replacement filter	FERROMIX (Model CRVF4520ECO) Iron reduction replacement filter
IRON & H₂S	FERROMIX (Model CRVF4520ECO) Iron reduction replacement filter	GAC-CAT (Model CRVS4520ECO) Smell reduction replacement filter with catalytic activated carbon

ECOSOFT AQUAPOINT WHOLE HOUSE FILTERS

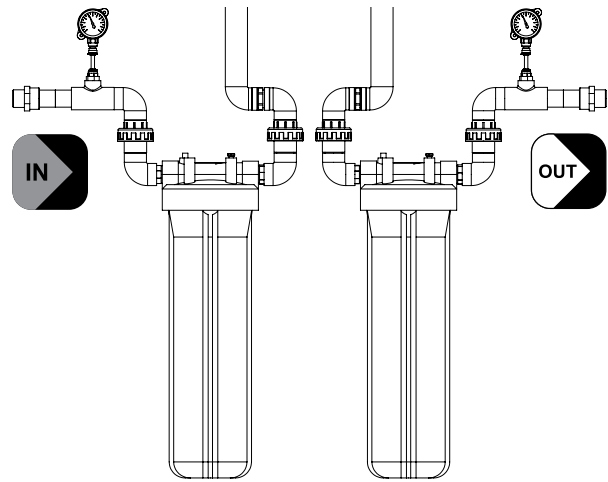
Code	Product	Pieces in box	Boxes on pallet	Pieces on pallet
FPV24520ECO	Ecosoft Aquapoint whole house filter	1	12	12
FPV24520SECOSTD	Ecosoft Aquapoint Standard whole house filter on metal rack	1	20	20
FPV24520ECOSTD	Ecosoft Aquapoint Standard whole house filter	1	20	20

ECOSOFT AQUAPOINT TECHNICAL SPECIFICATION

AQUAPOINT¹



AQUAPOINT with softener²



¹ Connection scheme is shown for FPV24520ECO, FPV24520SECOSTD, FPV24520ECOSTD

² Connection scheme is shown for FPV24520ECO only

Parameter	Value	Value	Value
Product code	FPV24520ECO	FPV24520SECOSTD	FPV24520ECOSTD
Dimensions (Width × Depth × Height), mm	550 × 300 × 890 ±5*	412 × 216 × 758 ±5*	372 × 216 × 664
Weight:			
Dry system, max, kg	30	21.5	18
System with water, max, kg	100	91.5	88
Connection port sizes			
Inlet		1"	
Outlet		1"	
Filter size (Diameter × Height), inch		4.5 × 20"	
Type of installation		In-line	
Temperature of water, °C		+3...+43	
Flow capacity**, m ³ /h		1.8	
Recommended pressure, bar		3.5...6	
Maximum pressure, bar		8	

* The size depends on adjustable feet level

**The flow capacity is for polypropylene filters. Flow capacity may be different with other types of filters.